

THE BM20 PORTABLE BEVELER

HEAVY-DUTY TOOL PRODUCES HIGH-QUALITY MACHINED BEVELS

The Steelmax **BM20** is an easy-to-use, portable heavy-duty machine designed for beveling steel plates and pipes prior to welding. This beveling machine is fitted with two rotary milling heads, each holding six 4-sided indexable inserts, allowing smooth operation and exceptional efficiency.

One set of inserts can last for up to 6560 ft (2000 m) of beveled steel edge and allows working with an output of around 60 inch/minute (1.5 meters/minute) depending on the amount of the metal being removed.

The **BM20** has a state of the art electronic motor overload module protecting the operator, the machine and the tooling. It is equipped with guide rolls, which make it easy and light to operate.

FEATURES

- Portable, heavy-duty machine
- Equipped with guide rolls for easy operation
- Automatic motor overload protection
- Fitted with two milling heads for smooth and efficient operation
- Adjustable bevel angle, 15° - 60°



Steelmax
The tools of innovation.



Plate beveling

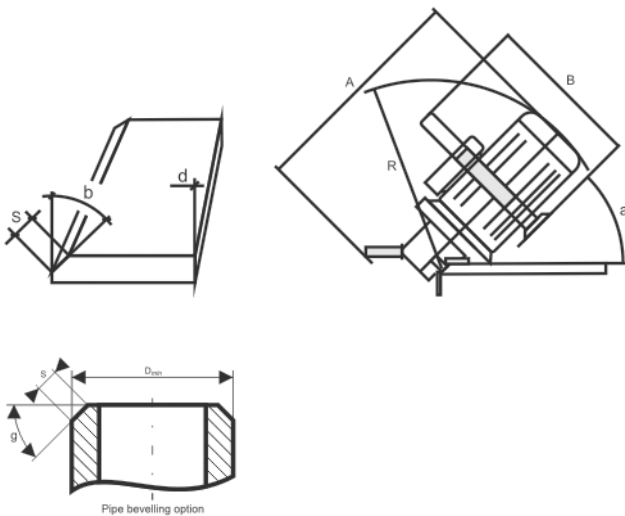


Plate facing (option)



Pipe beveling (option)

A	B	R	S	Dmin	a	b	g	d=0°	weight
16-9/16" (420 mm)	13" (330 mm)	12" (305 mm)	3/4" (0-20 mm)	6-5/16" (160 mm)	45-75°	15-60°	75-30°	yes	43 lbs (20 kg)



BM20 Technical Specifications	
Power supply	115V/60Hz or 230V/50Hz
Power	1.5 HP (1.1 kW)
Motor speed	2820 rpm
Tooling	Two milling heads with 12 square cutting inserts
Part number	SM-BM20 (115V/60Hz) SM-BM20-230 (230V/50Hz)

All information is subject to change without notice.

Optional Equipment:

- 0° facing attachment
Part No. SM-ZSP-0075-32-00-00-1
- Pipe beveling attachment (minimum 6" diameter)
Part No. SM-ZSP-0075-00-00-0
- Replacement cutting inserts (12 required)
Part No. SM-PLY-000004

Steelmax

The tools of innovation.

112 Inverness Circle E, Ste F, Englewood, CO 80112

For ordering and customer service, or to request detailed product information or demonstration videos, contact:

