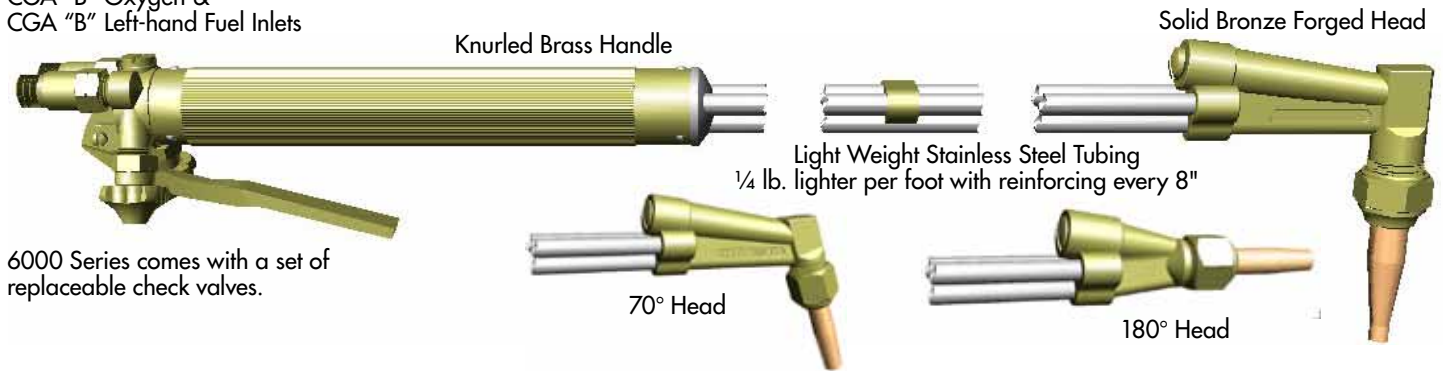


6000 SERIES—CUTS UP TO 8", GAS TYPE IS MODEL DEPENDENT (SEE BELOW)

CGA "B" Oxygen &
CGA "B" Left-hand Fuel Inlets



6000 Series comes with a set of replaceable check valves.

SOLID BRONZE FORGED HEAD

- Long life, resists distortion from abuse
- Maximum service with minimum maintenance

INJECTOR/MIXER

- Mixer in head to reduce burn back in tubes
- Safer than tube mixing designs

EXTERNAL CHECK VALVES

- Easily replaced on the job & prevents reverse flow.
- Flame Tech® recommends flash arrestors style GG/DGN
See check valves & flash arrestors section in this catalog.

LIGHT WEIGHT, STAINLESS TUBES

- Maximum design strength—1/4 lb. per foot lighter

MODELS & SIZES

Flame Tech's 6000 series torches are designed for heavy duty hand held applications for the steel mill, foundry or scrap yard environment where up to 8" cutting is required. These torches come in 21, 27, 36, 48, 72, 96, & 120 inch lengths. Custom lengths are also available upon request. See our 7000, 8000 and 9000 series for 14", 36" & 48" cutting capabilities. These torches have built-in mixers, and as such must be ordered according to the gas type to be used. Different gas usage requires a different torch. See "Part Numbering Example."

ORDERING & PART NUMBERS

Flame Tech® uses an identification system that consists of numbers and letters to identify the manufacture model, size, gas, and style head on our torches. Below are examples for our Heavy Duty Hand Torches. See our price list for complete offering.

OEM COMPATIBILITY

- 6200 Series—Compatible with Harris® Seat
- 6300 Series—Compatible with Victor® Seat
- 6400 Series—Compatible with Oxweld® Seat



PART NUMBERING EXAMPLE

- 6321-A90 = "63" indicates the series of torch you are ordering (Victor® compatible torch)
- 6321-A90 = "21" indicates the length of torch you are ordering (21" long)
- 6321-A90 = "A" indicates Acetylene gas
"F" indicates alternate Fuel gases only (not for acetylene) for maximum performance
- 6321-A90 = "90" indicates the degree of the head (70°, 90°, or 180°* available)
*Flame Tech does not offer 180° heads for use with with acetylene.

» SEE PAGE 30 FOR SCRAPER TIP INFORMATION