

# SmartStack Patient Care Stand

*“Improvements based on valuable  
feedback from our customers”*



*24" wide base design leaves  
wider footprint for added applications*



*The Pole Height Can Be  
Adjusted Quickly & with  
Ease*

*More sturdy base design  
for added stability and durability*



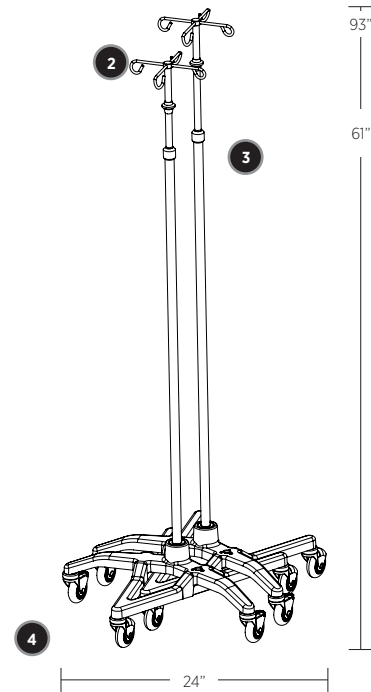
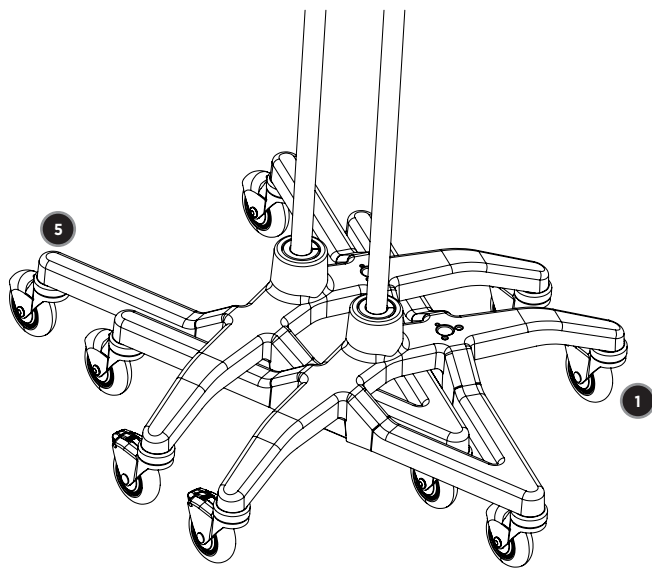
## ► New & Improved!

The **ALL-NEW** 24" SmartStack patient care pole from Maxtec is what you have been waiting for! Our specially designed 24" pole base is two inches wider and nearly 5 pounds heavier, providing extra stand support and durability. Its patented design will still stack neatly with other bases of its kind (22" and 24"), allowing for extra storage space, a more organized facility and easy transportation of multiple stands all at once.

## Part Numbers

SmartStack Single-Pack . . . . . R100P49-001

SmartStack Eight-Pack . . . . . R100P49-008  
*(minimum quantity - 48)*



**1. Large, Smooth Rolling Caster**

**3. Easy Adjustment**

*One-handed height adjustment*

**5. Heavier Base**

*Nearly 5 lbs heavier than previous model*

**2. Includes 4 fixed Ram-Horn Hooks**

**4. Wide Base**

*New 24" base for added applications*

## Specifications

Collapsed Height .....	Pole 54", Pole w/ Base 61" (measured from floor to top of hook assembly)
Extended Height .....	Pole Extended 86", Pole w/ Base 93" (measured from floor to top of hook assembly)
Casters .....	Neoprene Tread, Chrome Steel, 3" QTY: 5, 2 Locking, 3 Non-Locking
Weight Capacity .....	100lbs Total, 50lbs on Top Portion, 11lb Maximum One Hook
Wheel Base Diameter .....	24"
Nesting Base .....	5" (center to center)
Weight .....	19lbs
Shipping Weight .....	Base: 113lbs, Poles 28lbs (six units)
Pole Diameter .....	.25mm (bottom portion) 18mm (upper portion)
Base Material .....	Powder coated aluminum
Pole Material .....	Stainless Steel
Ram-Horn Hooks .....	4 fixed
Restrictions .....	Not MRI Compatible

ML#225 Rev G



6526 South Cottonwood Street  
Salt Lake City, Utah 84107

866.4.Maxtec | [www.maxtec.com](http://www.maxtec.com)